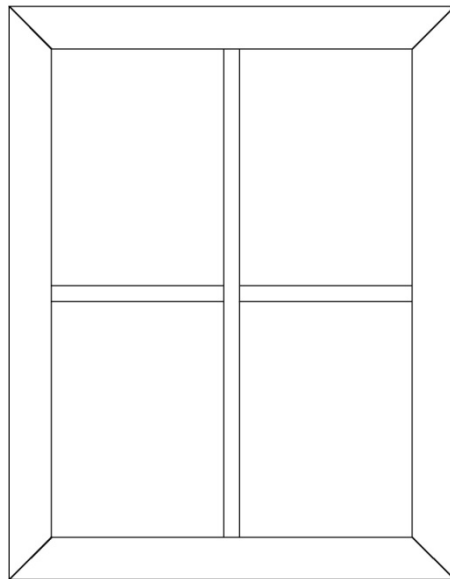


HOW TO BUILD A SHED WINDOW



Material list

- (1) Standard pane piece of glass cut to size (found at local home center)
- (1) 1x3x8' piece of pine
- (1) Tube clear silicone
- (4) 1-1/2" galvanized screws
- (1) Qt exterior paint
- (1) Pair small hinges

Tools Needed

Table Saw
Tape measure
Safety glasses
Caulk gun
Screw gun
Paint brush

Safety

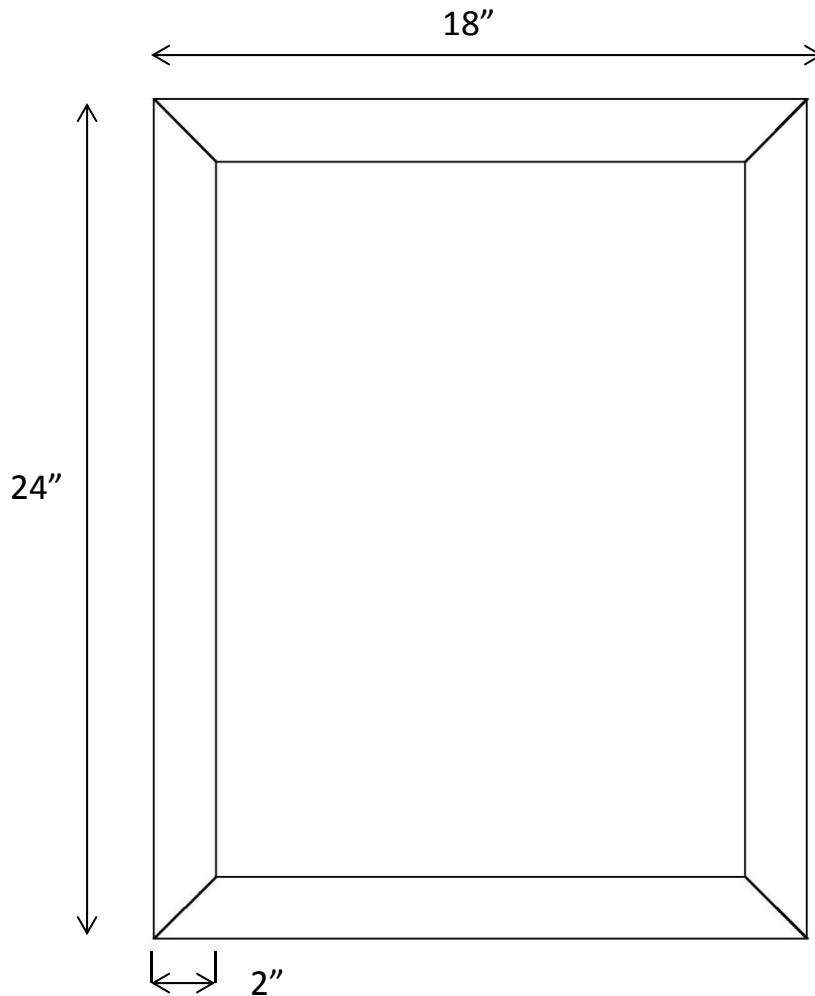
- Be sure to read and understand the use of all power tools before use. Safety glasses must be worn at all times. Failure to do so may result in personal injury.

Determine Window and Glass Size

The first step is to determine the overall window size you need. Simply measure your opening and write the window size down. Next you need to determine the glass size you need. To determine this, take the width and height and subtract 3". For instance, if the overall size of the window you need is 18" wide by 24" tall, you need a piece of glass that is 15" wide by 21" tall. Most home centers will cut a piece of glass for you for free.

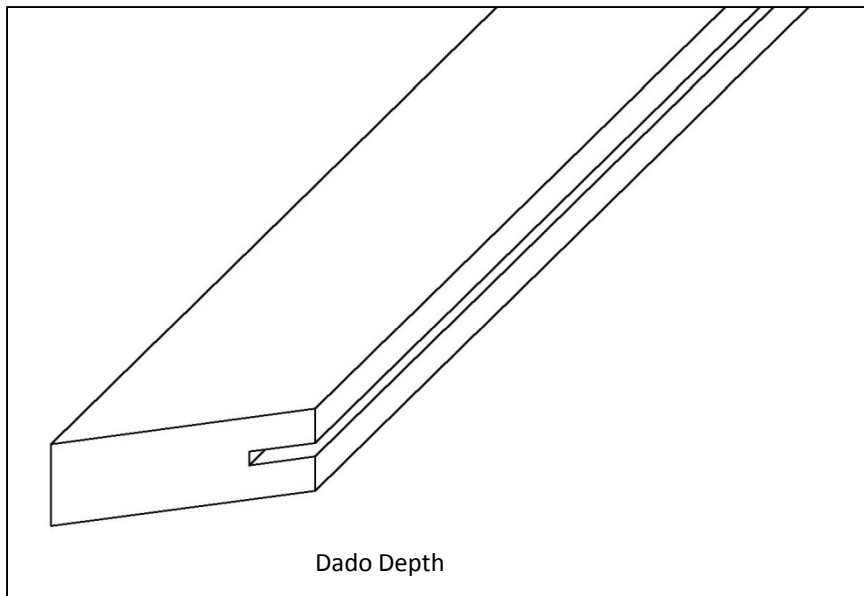
Make the frame

The next step is to make the frame. For this you will need a table saw and a miter saw (optional). In this example, we will make a 18" wide window by 24" tall. Make the frame according to the dimensions below. The corners are mitered.



Make Dado

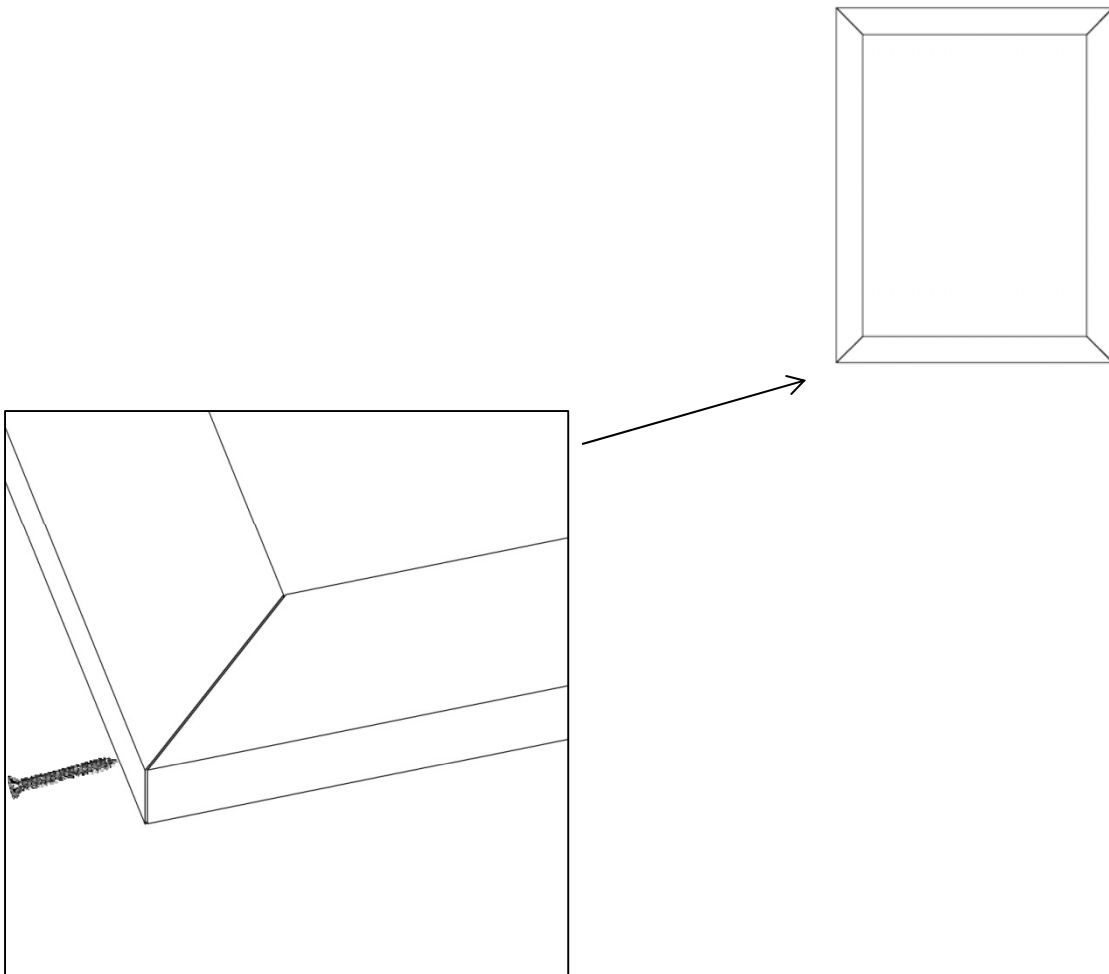
In order to assemble the glass to the frame you will have to make a dado the width of the table saw blade right in the middle of each frame. The diagram below shows the dado. The depth of the dado is $5/8$ ". Perform this on all four rails and styles.



Assemble Frame

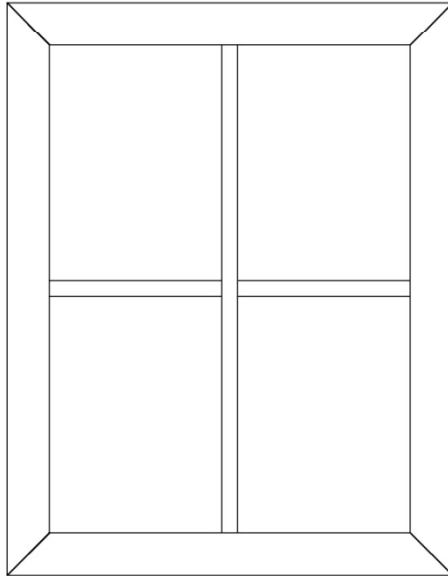
To assemble the frame you will need silicone caulking and the galvanized screws. First dry fit the window and glass to make sure the dados are deep enough. Lay a bead of clear silicone in the dados you made in the previous step. On a flat surface, assemble the glass and the four frame pieces. Wipe off the excess silicone with a clean cloth.

To keep the frame secure, drill a pilot hole $\frac{3}{4}$ " in from the end of each corner and insert a 1-1/2" screw. This keeps the frame secure.



Attach grids

Rip down pieces of the $\frac{3}{4}$ " pine on the table saw to $\frac{1}{4}$ " wide. Attach the grids using silicone caulk on the back of the grids. Attach right to the glass. LET THE WINDOW DRY FOR 24 HOURS. Once the silicone is dry you can paint the window.



Mount Window

Mount the window to the window opening using small hinges. To keep the window secure use a small gate hook.